

Genie® GR-20J & GR-26J

Specifications

Models	GR-20J		GR-26J	
Measurements	US	METRIC	US	METRIC
Working height max. - indoor ⁽¹⁾	24 ft 8 in	7.70 m	31 ft 11 in	9.90 m
Working height max. - outdoor ⁽¹⁾	24 ft 8 in	7.70 m	31 ft 11 in	9.90 m
Platform height max.- indoor	18 ft 8 in	5.70 m	25 ft 11 in	7.90 m
Platform height max. - outdoor	18 ft 8 in	5.70 m	25 ft 11 in	7.90 m
Horizontal reach max.	9 ft	2.75 m	8 ft 8 in	2.65 m
Working horizontal reach max.	10 ft 7 in	3.25 m	10 ft 3 in	3.15 m
Up-and-over clearance max.	13 ft 10.75 in	4.25 m	21 ft 10 in	6.70 m
A Platform length	2 ft 5.5 in	0.75 m	2 ft 5.5 in	0.75 m
B Platform width	2 ft 11 in	0.90 m	2 ft 11 in	0.90 m
Toeboard Height	6 in	15 cm	6 in	15 cm
C Height - stowed	6 ft 6 in	1.99 m	6 ft 6 in	1.99 m
D Length- stowed	9 ft 8 in	2.95 m	9 ft 3 in	2.82 m
E Width	3 ft 3 in	0.99 m	3 ft 3 in	0.99 m
F Wheelbase	3 ft 11 in	1.2 m	3 ft 11 in	1.2 m
G Ground clearance (center)	4 in	10 cm	4 in	10 cm

Productivity

Maximum platform occupancy (in/out)	2/1		2/1	
Lift capacity	440 lb	200 kg	440 lb	200 kg
Vertical jib rotation	140°		140°	
Turntable rotation	350°		350°	
Drive speed - stowed	2.8 mph	4.5 km/h	2.8 mph	4.5 km/h
Drive speed - raised	0.4 mph	0.65 km/h	0.4 mph	0.65 km/h
Gradeability ⁽²⁾	25%		25%	
Turning radius - inside	1 ft 11 in	59 cm	1 ft 11 in	59 cm
Turning radius - outside	6 ft 10 in	2.08 m	6 ft 10 in	2.08 m
Lifting speed - raise/lower	24/19 sec		54/40 sec	
Controls - proportional	24V DC		24V DC	
Tires - Solid non-marking	16x5x11.25 in	40.5 cm	16x5x11.25 in	40.5 cm

Power

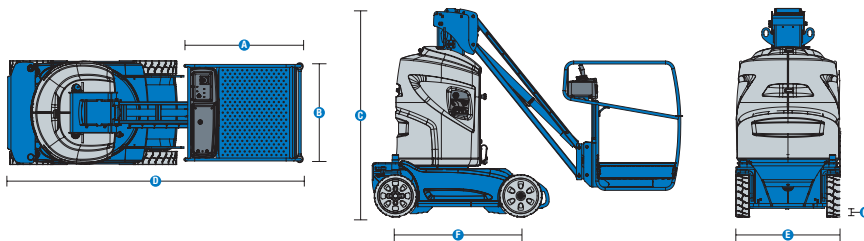
Power	24V (12x2V 250Ah)		24V (12x2V 250Ah)	
Hydraulic tank capacity	4.84 gal	22L	4.84 gal	22L

Weight⁽³⁾ and Floor Loading⁽⁴⁾

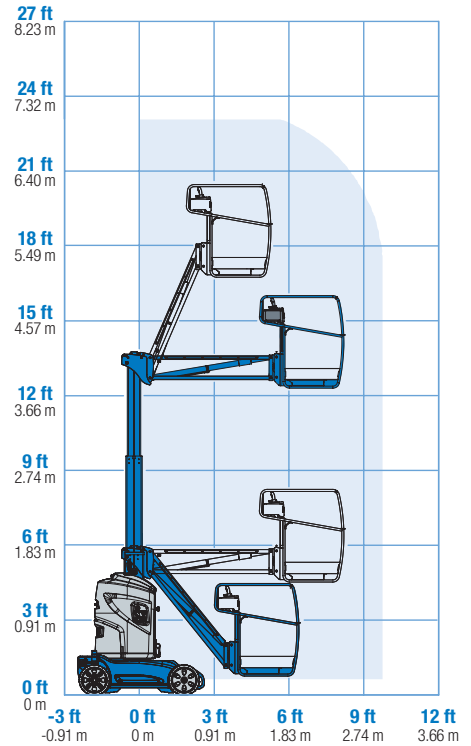
Weight	4,960 lb	2,250 kg	5,842 lb	2,650 kg
Tire load max.	2,781 lb	1,261 kg	3,273 lb	1,485 kg
Occupied floor pressure	357 psf	1,744 kg/m ²	420 psf	2,054 kg/m ²

Sound and Vibration Levels

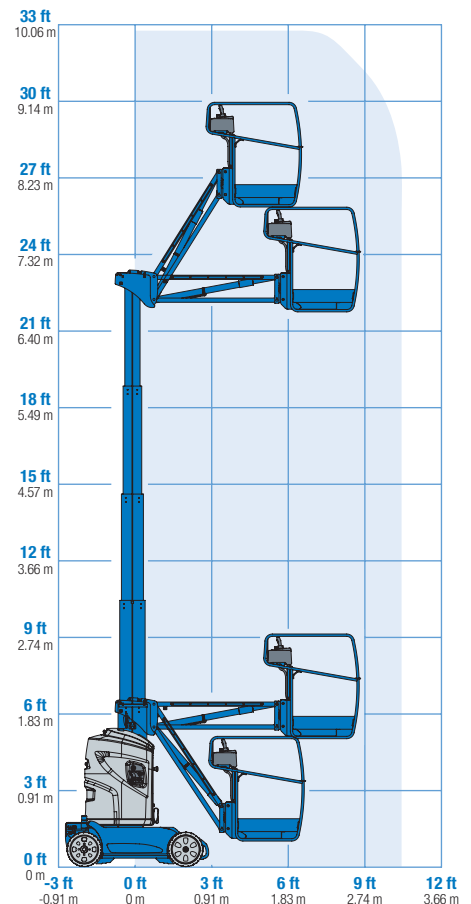
Sound Pressure level (ground workstation)	< 70 dBA		< 70 dBA	
Sound Pressure level (platform workstation)	< 70 dBA		< 70 dBA	
Vibrations	< 8 ft 2 in/s ²	< 2.5 m/s ²	< 8 ft 2 in/s ²	< 2.5 m/s ²



Range of motion GR-20J



Range of motion GR-26J



(1) The metric equivalent of working height adds 2 m to platform height. U.S. adds 6 ft to platform height.
 (2) Gradeability applies to driving on slopes and may vary depending on options and machine configurations. See operator's manual for details regarding slope ratings.
 (3) Weight refers to standard configuration and may vary depending on options and/or country standards.
 (4) Floor loading information is approximate and may vary depending on options and machine configurations. It should be used only with adequate safety factors.

Genie® GR-20J & GR-26J

SKU: Standard Model

- GR-20J, 110V (charger & power to platform)*
- **GR20J001C00001:** GR-20J, 220V (charger & power to platform)

* Build to Order

SKU: Standard Model

- GR-26J, 110V (charger & power to platform)*
- **GR26J001C00001:** GR-26J, 220V (charger & power to platform)

Option availability		S	S+	BtO
Power	24V DC, twelve 2V batteries, 250Ah capacity	✓	✓	✓
	110V/50Hz			○
	220V/50Hz	✓	✓	✓
Platform	Steel sliding mid-rail platform	✓	✓	✓
	Steel tube-in-tube mast system	✓	✓	✓
	Plug and socket with RCBO		○	○
	Plug and socket, no RCBO	✓	✓	✓
	Air line to platform			○
	AC power to platform	✓	✓	✓
	Auxiliary platform lowering	✓	✓	✓
	Platform load sense system	✓	✓	✓
	Proportional lift and drive	✓	✓	✓
Chassis	Flashing beacon		○	○
	Descent, tilt, and motion alarm	✓	✓	✓
	Direct electric rear wheel drive	✓	✓	✓
	Drive enable system	✓	✓	✓
	Electric brake release	✓	✓	✓
	Fork pockets	✓	✓	✓
	Front wheel steer	✓	✓	✓
	Hour meter	✓	✓	✓
	On-board diagnostic system with battery charge indicator	✓	✓	✓
	Pothole protection	✓	✓	✓
	Reinforced ABS chassis covers	✓	✓	✓
	Solid non-marking tires	✓	✓	✓
	Tie-down attachment points	✓	✓	✓

- S Standard
- S+ Standard +
- BtO Build to Order
- ✓ Standard Features
- Options



Indoor & Outdoor



Narrow Access



Proportional lift and drive



Genie Genuine Accessories⁽¹⁾

- Lift Tools productivity tools
- Lift Connect Telematics subscription extension
- Tech Pro Link Connector

(1) More accessories available from Genie Genuine Parts.

Product specifications are subject to change without notice or obligation. Photographs and/or drawings herein are for illustrative purposes only. Refer to the appropriate Operator's Manual for instructions on proper equipment use. Failure to follow instructions in the Operator's Manual may result in serious injury or death. The only warranty applicable to our equipment is the standard written warranty applicable to the particular product and sale and we make no other warranty, express or implied. Products and services listed may be trademarks, service marks or trade names of Terex Corporation and/or their subsidiaries in the USA and many other countries. Terex, Genie, Quality By Design, Xtra Capacity, Lift Power, Lift Guard, Lift Tools, Lift Connect and Tech Pro Link are registered trademarks of Terex Corporation or its subsidiaries.