

Technical sheet :

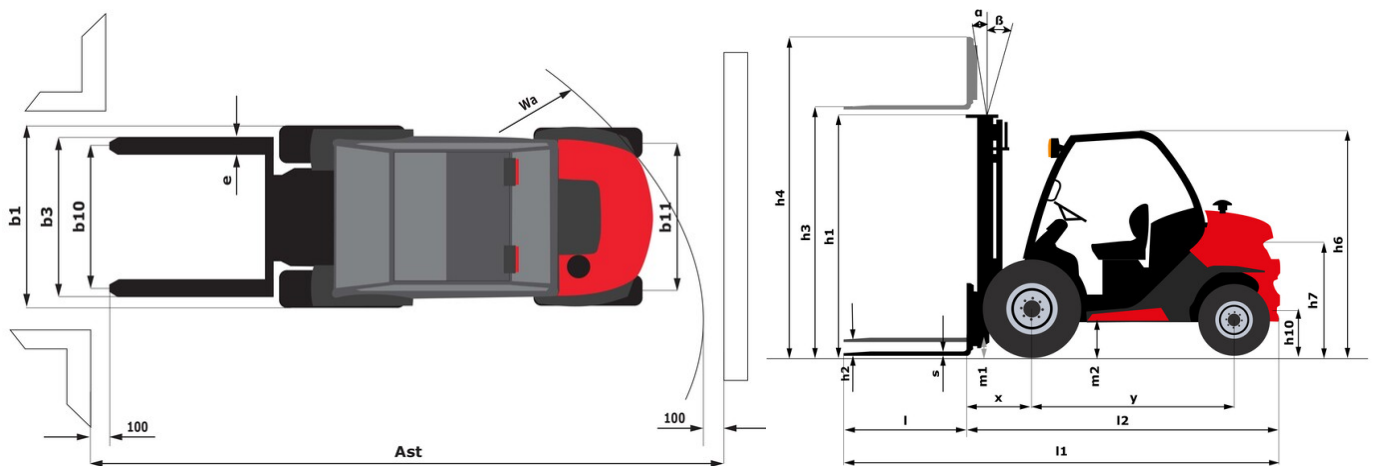
MC 30-4 ST5



 **MANITOU**
HANDLING YOUR WORLD

Technical characteristics			Metric	Imperial
1.1	Manufacturer		Manitou	Manitou
1.2	Model Name		MC 30-4 ST5	MC 30-4 ST5
1.3	Power source		Diesel	Diesel
1.4	Operator type		Sitting	Sitting
1.5	Max. capacity	Q	3000 kg	6614 lb
1.6	Load center of gravity	c	500 mm	20 in
1.8	Load distance, centre of drive axle to fork	x	626 mm	25 in
1.9	Wheelbase	y	1900 mm	75 in
Weight				
2.1	Service weight		4440 kg	9789 lb
2.2	Weight on front axle (laden) / rear axle (laden)		6650 kg / 790 kg	14661 lb / 1742 lb
Wheels				
3.1	Tyres type		Pneumatic	Pneumatic
3.2	Dimensions of front wheels		12,5/80-18/12 SL R4	12,5/80-18/12 SL R4
3.3	Dimensions of rear wheels		27x10-12 SKS	27x10-12 SKS
3.5	Number of front wheels / rear wheels		2 / 2	2 / 2
3.5.2	Number of drive wheels		4	4
3.6	Front wheel gauge	b10	1159 mm	46 in
3.7	Rear wheel gauge	b11	1176 mm	46 in
Dimensions				
4.7	Height of overhead guard (cabin) / Overall height of low overhead guard (Buggie version)	h6 / h6*	2155 mm / 1990 mm	85 in / 78 in
4.8	Seat height/stand height	h7	1094 mm	43 in
4.19	Overall length	l1	4235 mm	167 in
4.20	Length to face of forks	l2	3085 mm	121 in
4.21	Overall width	b1	1450 mm	57 in
4.22	Forks section x width x length	s / e / l	45 mm x 100 mm / 1200 mm	2 in x 4 in / 47 in
4.23	Fork carriage ISO 2328 (class/form) A/B		3A	3A
4.31	Ground clearance below mast	m1	300 mm	12 in
4.32	Ground clearance at centre of wheelbase	m2	310 mm	12 in
4.33	Aisle width for 1000 x 1200 pallet widthways	Ast	5461 mm	215 in
4.35	Turning radius	Wa	3435 mm	135 in
Performances				
5.1	Travel speed (laden / unladen)		12 km/h / 24.50 km/h	7 mi/h / 15 mi/h
5.2	Lifting speed (laden / unladen)		0.47 m/s / 0.46 m/s	2 ft/s / 2 ft/s
5.3	Lowering speed (laden / unladen)		0.50 m/s / 0.30 m/s	2 ft/s / 0.98 ft/s
5.5	Drawbar pull (Laden)		3100 daN	3100 daN
5.7	Gradeability (laden)		46 %	46 %
5.10	Service brake		Hydraulic brakes by loss of pressure	Hydraulic brakes by loss of pressure
Engine				
7.1	Engine brand / model / nom		Kubota / D1803 CRT E5B / Stage V	Kubota / D1803 CRT E5B / Stage V
7.2	Engine power according to ISO 1585		37 kW	37 kW
7.3	Rated speed		2700 rpm	2700 rpm
7.4	Number of cylinders / Capacity of cylinders		3 - 1826 cm ³	3 - 111 in ³
Miscellaneous				
8.1	Type of drive control		Electronic	Electronic
8.3	Oil flow rate for attachments		42 l/min	11 US gpm
8.4	Sound level at the driver's ear according to DIN 12 053		79 dB	79 dB

MC 30-4 ST5 - Dimensional drawing



Characteristics of masts and residual capacities

Full Visibility Duplex (FVD)	FVD 33	FVD 37	FVD 45	
Mast/fork carriage tilt, forward	°	12	12	12
Mast/fork carriage tilt, backward	°	10	10	10
h1 - Mast lowered height	mm	2338	2598	3038
h2 - Mast free lift	mm	117	117	117
h3 - Mast lifting height	mm	3300	3700	4500
h4 - Mast extended height	mm	4090	4490	5290
Residual capacity at max height	kg	1400	1400	500
Residual capacity with hooked-on side shift (Industrial load chart)	kg	1400	1400	500
Height at max capacity	mm	2700	2700	2800
Height at max capacity with hooked-on sideshift	mm	2700	2700	2800

Free Lift Triplex (FLT)	FLT 34	FLT 37	FLT 40	FLT 43	FLT 47	FLT 55	
Mast/fork carriage tilt, forward	°	12	12	12	12	6	
Mast/fork carriage tilt, backward	°	10	10	10	10	6	
h1 - Mast lowered height	mm	1988	2088	2188	2338	2438	2788
h2 - Mast free lift	mm	1235	1335	1435	1585	1685	2035
h3 - Mast lifting height	mm	3400	3700	4000	4300	4700	5500
h4 - Mast extended height	mm	4236	4536	4836	5136	5536	6336
Residual capacity at max height	kg	1900	1500	1300	1400	430	500
Residual capacity with hooked-on side shift (Industrial load chart)	kg	1800	1400	1250		400	400
Height at max capacity	mm	2700	2600	2700	3100	2700	2500
Height at max capacity with hooked-on sideshift	mm	2700	2600	2700		2700	2500

Full Visibility Triplex (FVT)	FVT 33	
Mast/fork carriage tilt, forward	°	12
Mast/fork carriage tilt, backward	°	10
h1 - Mast lowered height	mm	1878
h2 - Mast free lift	mm	129
h3 - Mast lifting height	mm	3300
h4 - Mast extended height	mm	4079



Head Office

B.P. 249 - 430 rue de l'Aubinière

44150 Ancenis Cedex - France

Tel: +33 (0)2 40 09 10 11 - Fax: +33 (0)2 40 09 10 97

www.manitou.com



This publication provides a description of the configuration versions and options for Manitou products, which may differ for equipment. The equipment presented in this brochure may be part of a series, as an option, or it may not be available, depending on the versions. Manitou reserves the right, at any time and without notice, to amend the specifications described and represented. The specifications provided do not bind the manufacturer. For more details, please contact your Manitou agent. This is not a contractually binding document. The presentation of the products is not contractually binding. List of specifications non-exhaustive. The logos as well as the visual identity of the company are owned by Manitou and cannot be used without authorisation. All rights reserved. The photos and diagrams contained in this brochure are only provided for consultation and information purposes.

MANITOU BF SA - Limited company with board of directors - Share capital: 39,668,399 euros - 857 802 508 RCS Nantes